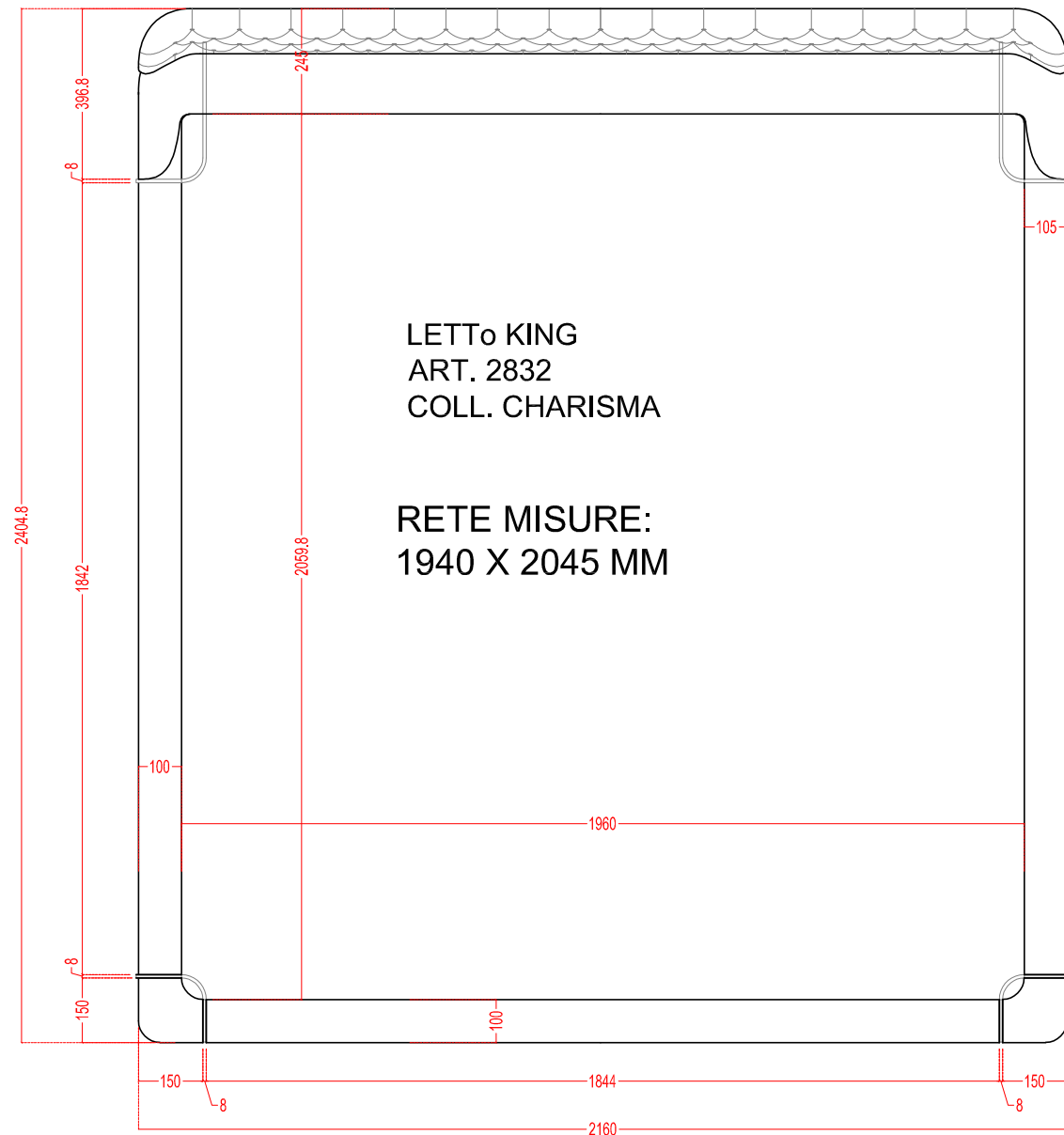
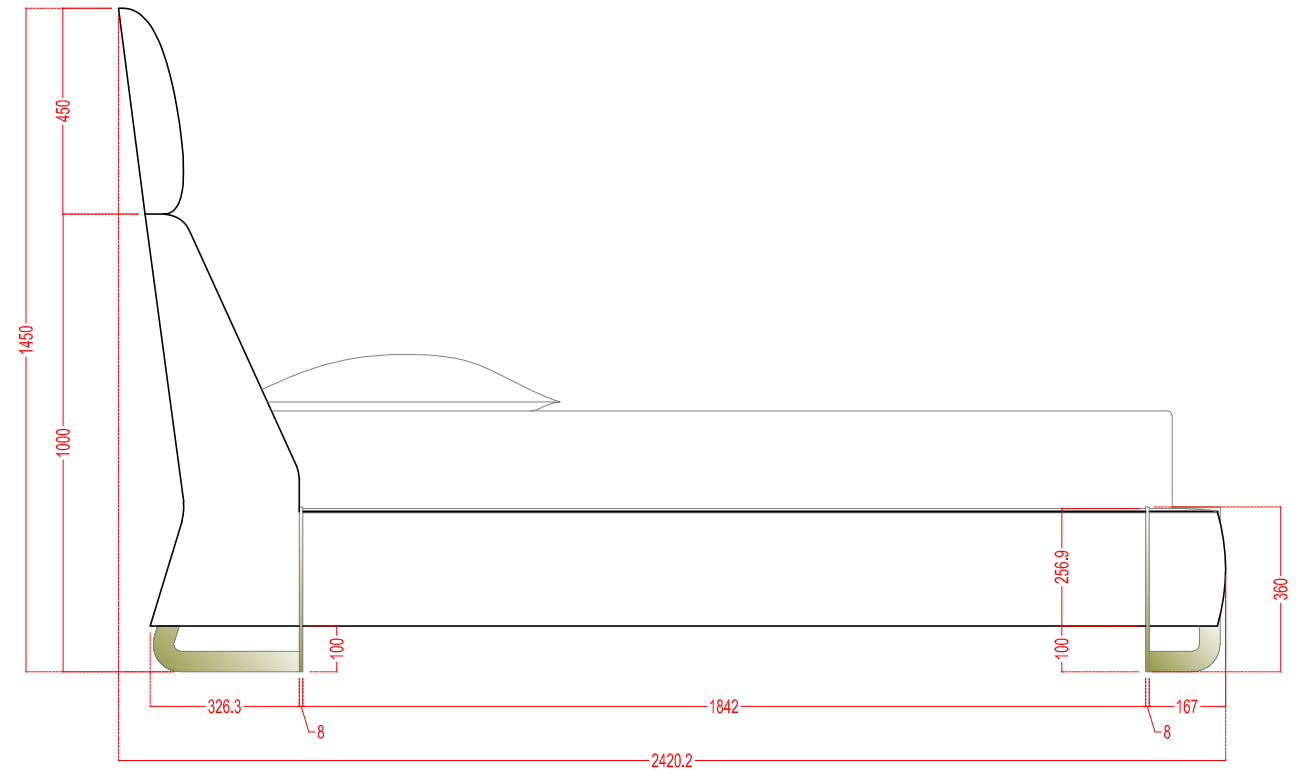
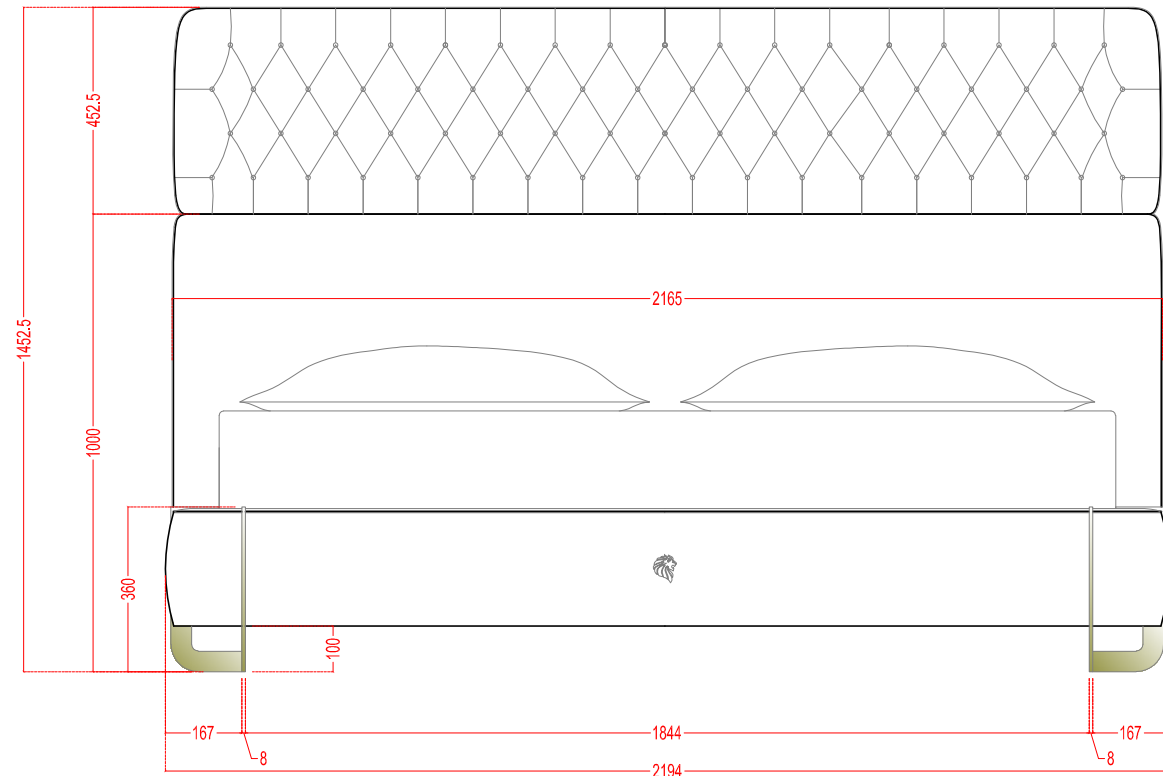


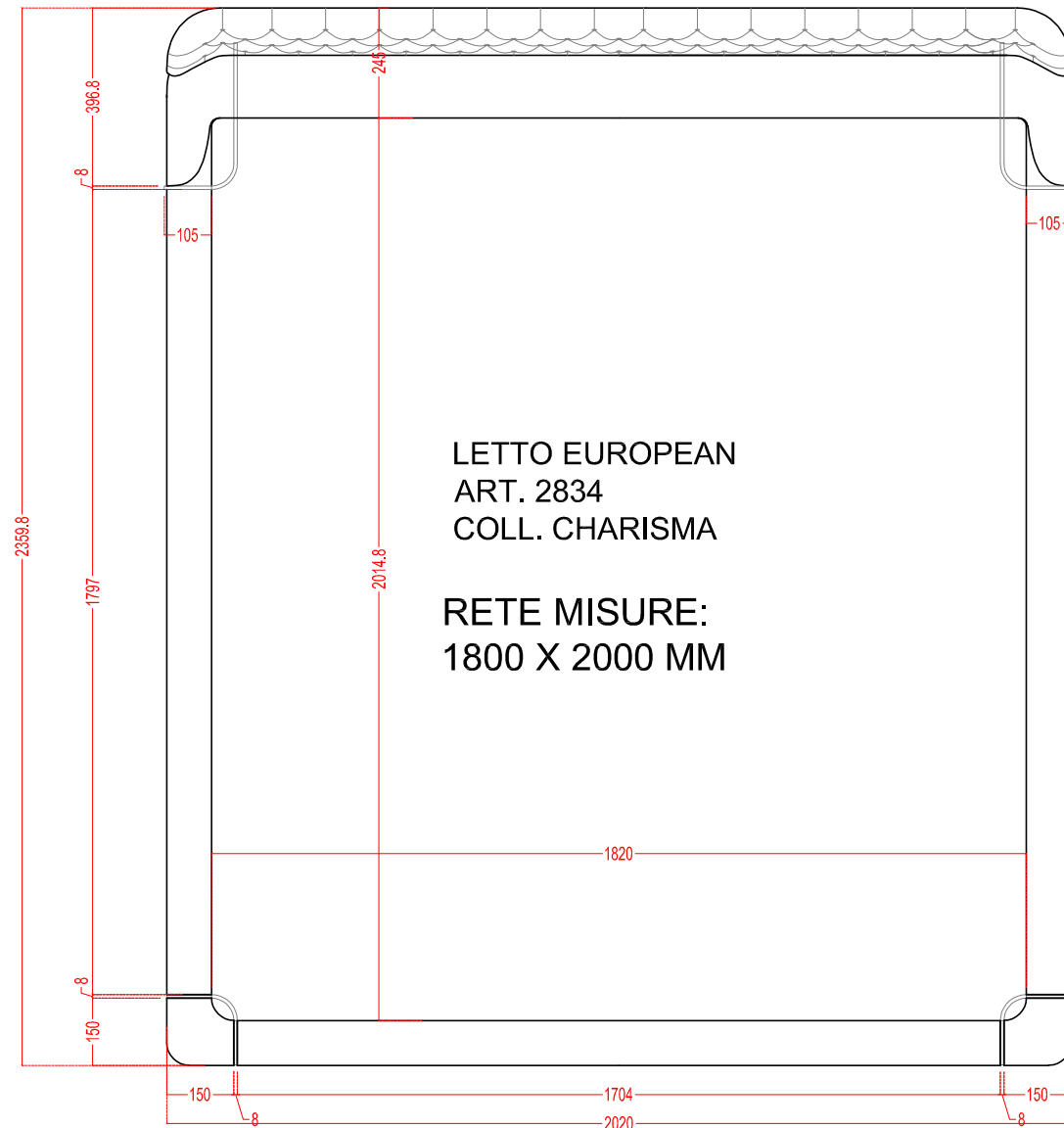
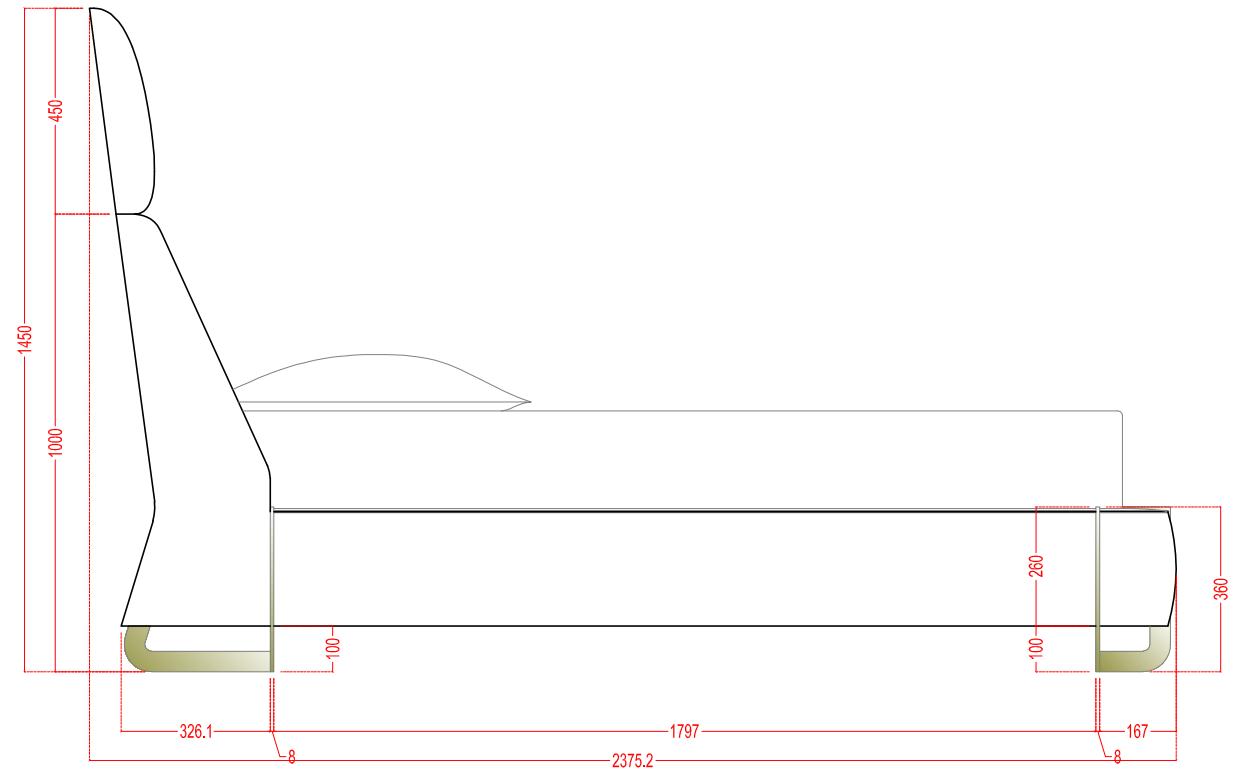
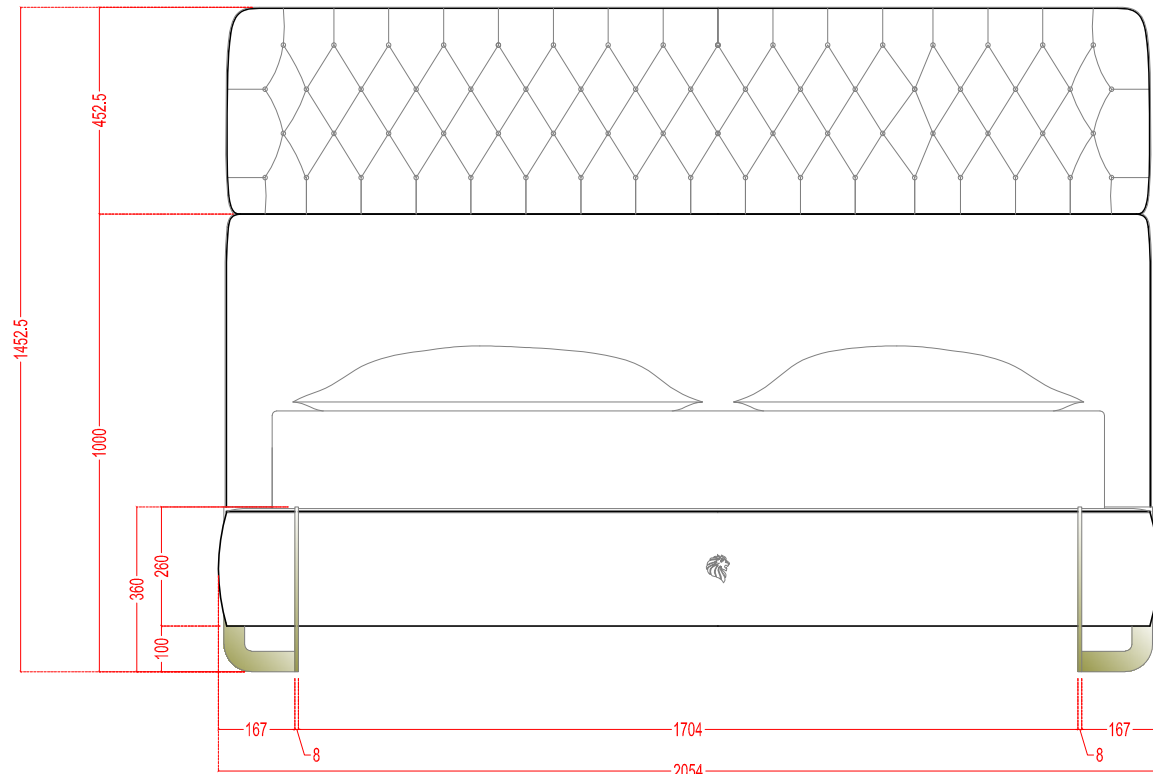




Disegno N°	ART. 2831		Revisione	- 00		Materiale	Peso in Kg
Descrizione						Ubicazione	MATERIALE LIGNED
						Quote senza indicazione di tolleranza	
						Da	0.5 2.5 6 17 200 600 1000 2000
						a	2.5 6 17 200 600 1000 2000 4000
						Toll.	±0.2 ±0.25 ±0.3 ±0.35
						MATERIALE NON LIGNED	
						Quote senza indicazione di tolleranza	
						Da	0.5 2.5 6 17 200 600 1000 2000
						a	2.5 6 17 200 600 1000 2000 4000
						Toll.	±0.2 ±0.35 ±0.4 ±0.5 ±1 ±0.8 ±0.5 ±0.4
giorgio collection	Disegnatore	N.B.	Approvazione			Scala	1:10
	Data di creazione	N.B.	Data di approvazione			Formato	A3



Disegno N° ART. 2832		Revisione - 00	Materiale		Peso in Kg																											
Descrizione			Ubicazione																													
Serie			MATERIALE LIGNED																													
 Disegnatore N.B. Data di creazione N.B.			Quote senza indicazione di tolleranza <table border="1"> <tr> <td>Da</td> <td>0.5</td> <td>2.5</td> <td>6</td> <td>17</td> <td>200</td> <td>600</td> <td>1000</td> <td>2000</td> </tr> <tr> <td>a</td> <td>2.5</td> <td>6</td> <td>17</td> <td>200</td> <td>600</td> <td>1000</td> <td>2000</td> <td>4000</td> </tr> <tr> <td>Toll.</td> <td></td> <td></td> <td></td> <td></td> <td>±0.2</td> <td>±0.25</td> <td>±0.3</td> <td>±0.35</td> </tr> </table>			Da	0.5	2.5	6	17	200	600	1000	2000	a	2.5	6	17	200	600	1000	2000	4000	Toll.					±0.2	±0.25	±0.3	±0.35
Da	0.5	2.5	6	17	200	600	1000	2000																								
a	2.5	6	17	200	600	1000	2000	4000																								
Toll.					±0.2	±0.25	±0.3	±0.35																								
Approvazione Data di approvazione			MATERIALE NON LIGNED																													
			Quote senza indicazione di tolleranza <table border="1"> <tr> <td>Da</td> <td>0.5</td> <td>2.5</td> <td>6</td> <td>17</td> <td>200</td> <td>600</td> <td>1000</td> <td>2000</td> </tr> <tr> <td>a</td> <td>2.5</td> <td>6</td> <td>17</td> <td>200</td> <td>600</td> <td>1000</td> <td>2000</td> <td>4000</td> </tr> <tr> <td>Toll.</td> <td>±0.2</td> <td>±0.35</td> <td>±0.4</td> <td>±0.5</td> <td>±1</td> <td>±0.8</td> <td>±0.5</td> <td>±0.4</td> </tr> </table>			Da	0.5	2.5	6	17	200	600	1000	2000	a	2.5	6	17	200	600	1000	2000	4000	Toll.	±0.2	±0.35	±0.4	±0.5	±1	±0.8	±0.5	±0.4
Da	0.5	2.5	6	17	200	600	1000	2000																								
a	2.5	6	17	200	600	1000	2000	4000																								
Toll.	±0.2	±0.35	±0.4	±0.5	±1	±0.8	±0.5	±0.4																								
Scala 1:10 Formato A3																																



Disegno N° ART. 2834		Revisione - 00	Materiale		Peso in Kg																											
Descrizione			Ubicazione																													
Serie			MATERIALE LIGNED																													
 Disegnatore N.B. Data di creazione N.B.			Quote senza indicazione di tolleranza <table border="1"> <tr> <td>Da</td> <td>0.5</td> <td>2.5</td> <td>6</td> <td>17</td> <td>200</td> <td>600</td> <td>1000</td> <td>2000</td> </tr> <tr> <td>a</td> <td>2.5</td> <td>6</td> <td>17</td> <td>200</td> <td>600</td> <td>1000</td> <td>2000</td> <td>4000</td> </tr> <tr> <td>Toll.</td> <td></td> <td></td> <td></td> <td></td> <td>±0.2</td> <td>±0.25</td> <td>±0.3</td> <td>±0.35</td> </tr> </table>			Da	0.5	2.5	6	17	200	600	1000	2000	a	2.5	6	17	200	600	1000	2000	4000	Toll.					±0.2	±0.25	±0.3	±0.35
Da	0.5	2.5	6	17	200	600	1000	2000																								
a	2.5	6	17	200	600	1000	2000	4000																								
Toll.					±0.2	±0.25	±0.3	±0.35																								
Approvazione Data di approvazione			MATERIALE NON LIGNED																													
			Quote senza indicazione di tolleranza <table border="1"> <tr> <td>Da</td> <td>0.5</td> <td>2.5</td> <td>6</td> <td>17</td> <td>200</td> <td>600</td> <td>1000</td> <td>2000</td> </tr> <tr> <td>a</td> <td>2.5</td> <td>6</td> <td>17</td> <td>200</td> <td>600</td> <td>1000</td> <td>2000</td> <td>4000</td> </tr> <tr> <td>Toll.</td> <td>±0.2</td> <td>±0.35</td> <td>±0.4</td> <td>±0.5</td> <td>±1</td> <td>±0.8</td> <td>±0.5</td> <td>±0.4</td> </tr> </table>			Da	0.5	2.5	6	17	200	600	1000	2000	a	2.5	6	17	200	600	1000	2000	4000	Toll.	±0.2	±0.35	±0.4	±0.5	±1	±0.8	±0.5	±0.4
Da	0.5	2.5	6	17	200	600	1000	2000																								
a	2.5	6	17	200	600	1000	2000	4000																								
Toll.	±0.2	±0.35	±0.4	±0.5	±1	±0.8	±0.5	±0.4																								
Scala 1:10 Formato A3																																